



Polish Stone and Concrete Floors with a 1.5 HP Severe-Duty Floor Machine

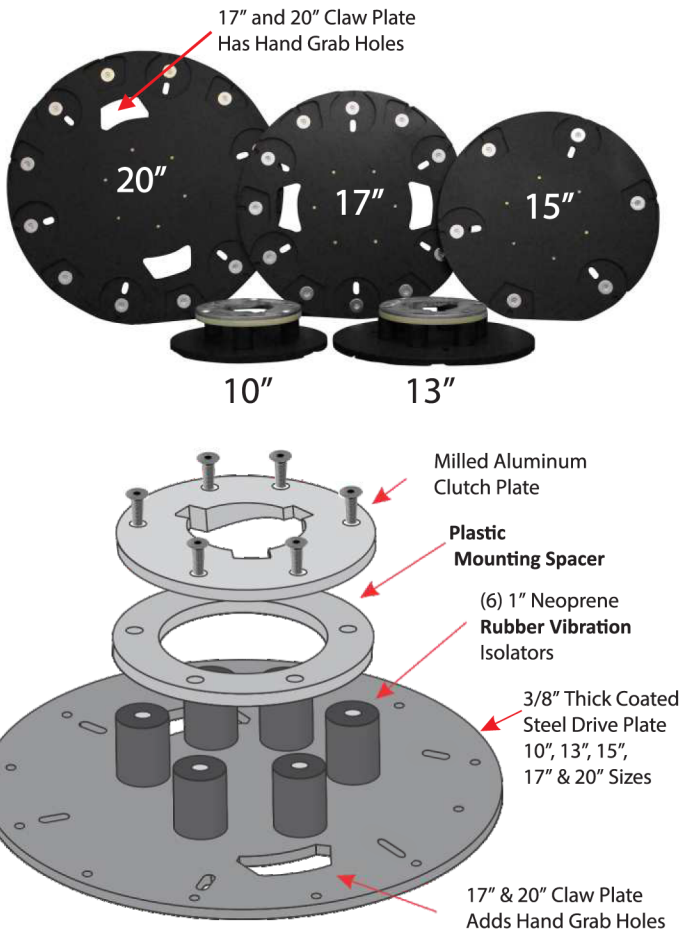
The Hawk Claw Diamond Pad Driver provides peak grinding and polishing results to the natural stone and concrete tradesman. The Claw is available in five sizes - 10", 13", 15", 17" and 20", driving both 3" round tools, and trapezoidal tools.

Tools are held in milled recesses in the Claw plate with the unique Mag-Lok™ industrial magnet system. Grinding and polishing tools mount securely on the plate, yet are easy to change without tools.

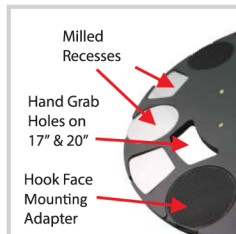
Operating vibrations are reduced by Neoprene rubber vibration damping isolators built into the mounting system with a custom milled aluminum clutch plate. Power the Claw with your severe-duty 1.5 HP rotary floor machines.

Engineered Design:

- ÿ The weighted Claw plate is built with 3/8" plate steel, powder-coated for corrosion resistance and easier clean up
- ÿ The face of the Claw plate is milled with round and trapezoidal tool mounting recesses, each fit with a Mag-Lok industrial magnet
- ÿ The top of the Claw plate is fit with a custom milled aluminum NP9200 clutch plate, sitting on top of six 1" Neoprene rubber vibration isolators. These isolators reduce vibration and flex over high points and lippage.
- ÿ Round 3" resin tools mount securely on a 3" metal adaptor plate with hook and loop face. The adaptor and tool combination mounts onto the Claw plate recess with the Mag-Lok system. Order tools separately.
- ÿ The 17" and 20" Claw plates add hand grab holes for easier, safer handling
- ÿ Includes round and trapezoidal steel hole blanks that fit in the unused recesses. Filling the unused recesses prevents debris buildup.
- ÿ Includes 3" steel mounting adapters with hook and loop mounting. Order additional adapters (#KIT2018-1 - Set of 6), or the replacement hook face sheet (#KIT2018 - Set of 6).



Includes Round Tool Adapters and Metal Hole Blanks to Fit the Milled Recesses



CLAW Steel Plates are Milled with Tool Mounting Recesses



3" Round Resin Tools Mount Fast and Reliably



CLAW Drives 3" Round and Trapezoidal Tools

Specifications

Model	CLAW 10	CLAW 13	CLAW 15	CLAW 17	CLAW 20
Part #	#Claw10	#Claw13	#Claw15	#Claw17	#Claw20
Claw Size	10"	12-5/8"	15"	16-5/8"	19-5/8"
Claw Speed	165 RPM	165 RPM	165 RPM	165 RPM	165 RPM
3" Round Tools	3	3	3	6	6
3" Round Blanks (Included)	3	3	3	6	6
Trapezoid Tools	0	3	3	6	6
Trapezoid Blanks (Included)	0	3	3	6	6
Tool Mounting	Mag-Lok Industrial Magnet System				
Weight	11 lbs.	18 lbs.	25 lbs.	27 lbs.	39 lbs.

Subject to Change Without Notice